



## 电阻元件定制化方案和产品提供商

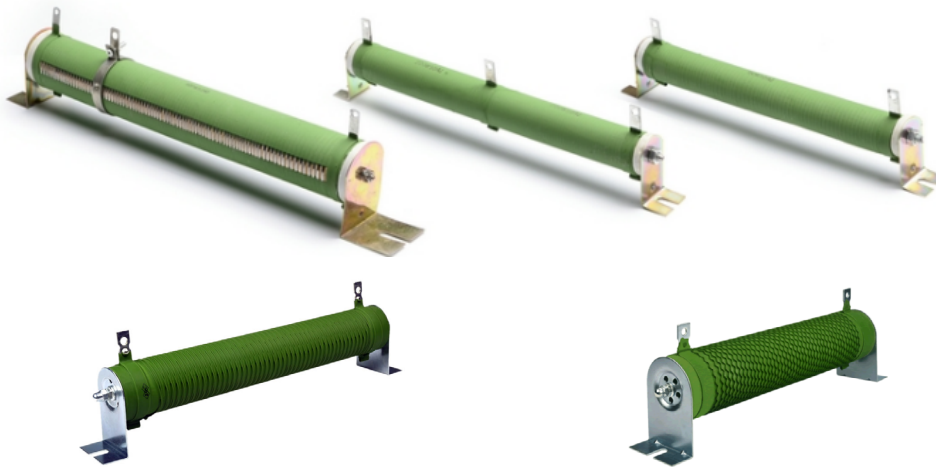
专业电阻器研发制造厂家

Resistance element customization scheme and product supplier  
Professional resistor R & D manufacturer

深圳市台旺佳机电有限公司

Shenzhen Taiwangjia Electromechanical Co., Ltd.

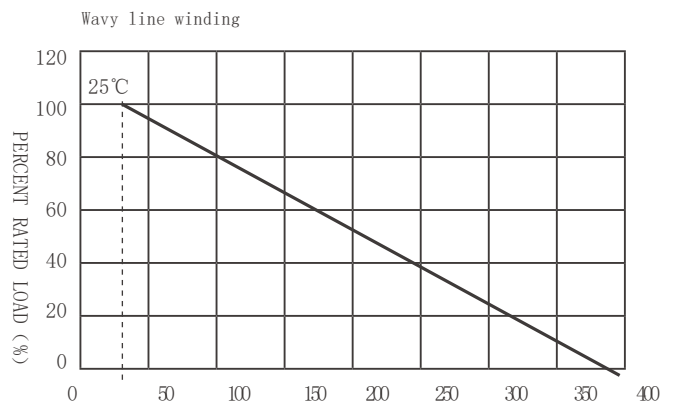
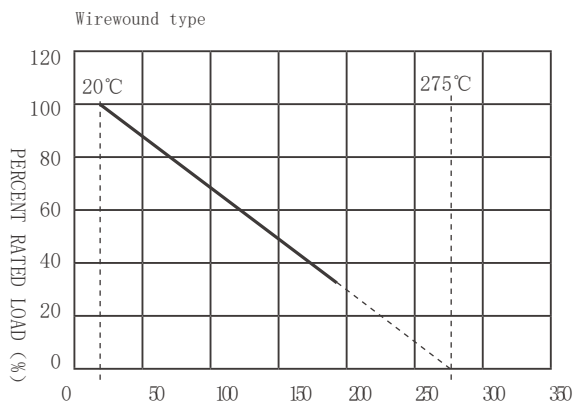
# RX20 Wirewound resistors



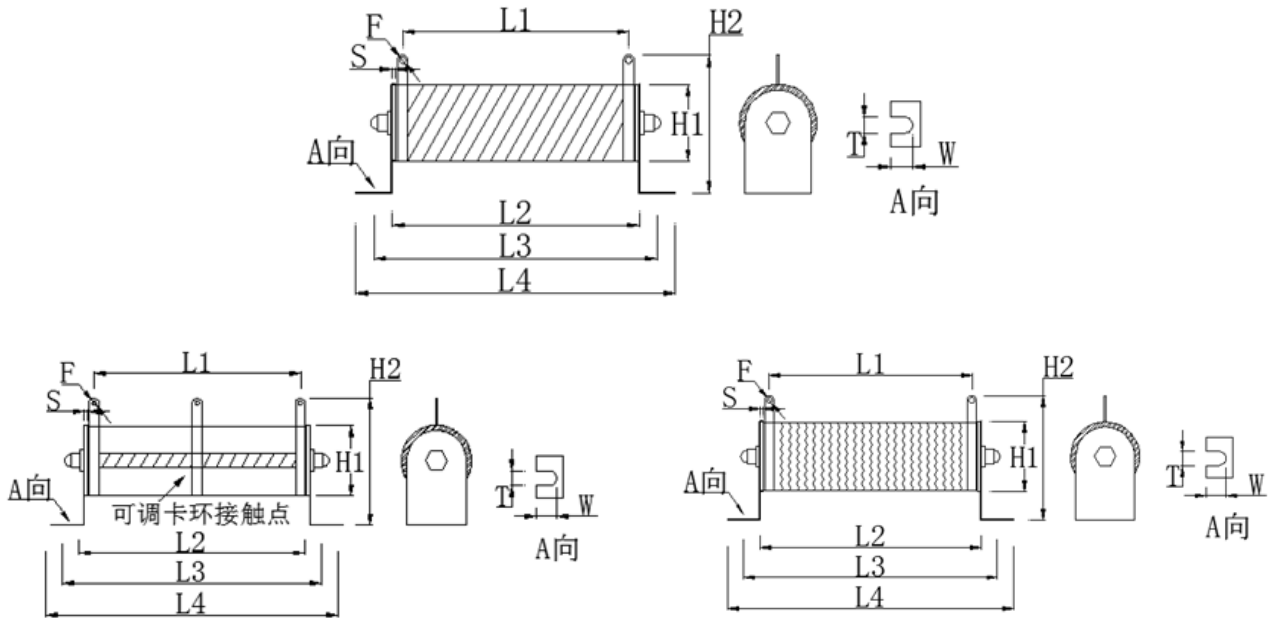
## performance index

检验项目 TEST ITEM	试验方法 TEST METHOD	性能要求 PERFORMANCE REQUIREMENT
Temperature coefficient	Test the resistance value at normal temperature and normal temperature added 100° C, calculate per ° C resistance value change rate.	Wirewound type: $\pm 200\text{PPM}/^{\circ}\text{C}$ , Wavy line winding: $\pm 400\text{PPM}/^{\circ}\text{C}$
Short time overload	5 times rated power for 5S	2%: $\pm (0.5\%+0.05\Omega)$ , 5%: $\pm (1\%+0.05\Omega)$ , There shall be no mechanical damage.
Insulation resistance	Apply DC voltage 500V 60S.	1000 M $\Omega$ Above.
withstanding voltage	According to the voltage specified in the table	No abnormal conditions such as arc discharge, burning loss and insulation damage. $\pm (0.1\%+0.05)$ within.
Load life	70 $\pm 3^{\circ}\text{C}$ , 1000 h 70 $\pm 3^{\circ}\text{C}$ , 1000h Freeze frame voltage(90minute ON, 30 minute OFF)	Wirewound type: $\pm (5\%+0.1\Omega)$ Wavy line winding: $\pm (5\%+0.1\Omega)$

## Power Derating Curve



## 外型尺寸



功率 Rated power (W)	Resistance	尺寸 DIMENSIONS (mm)										Max Working Voltage	Maximum load voltage	Maximum insulation voltage
		L1±2	L2±3	L3±3	L4±3	H1±1	H2±2	S±0.5	F±0.5	W±1	T±0.5			
25W	OR22-4K7	40	60	75	100	20	50	5	3.5	13	5	300V	300V	450V
50W	OR22-10K	82	100	114	140	30	58	6	5	14	6	400V	400V	600V
100W	OR22-15K	132	150	174	200	30	58	6	5	14	6	500V	500V	750V
150W	OR33-18K	162	180	194	220	30	58	6	5	14	6	600V	600V	900V
200W	OR33-22K	207	225	240	265	30	58	6	5	14	6	700V	700V	1000V
250W	OR33-24K	292	310	324	350	30	58	6	5	14	6	900V	900V	1300V
300W	OR33-27K	258	270	285	328	41	85	7.8	6	23	6	1000V	1000V	1450V
400W	OR33-30K	322	344	360	406	41	85	7.8	6	23	6	1500V	1500V	2200V
500W	OR33-33K	322	344	355	406	51	95	7.8	6	26	8.5	1600V	1600V	2300V
1000W	OR33-36K	290	315	325	375	71	110	10	8	32	8.5	1600V	1600V	2300V
1500W	OR33-39K	405	420	435	505	71	110	10	8	32	8.5	1700V	1700V	2400V
2000W	OR33-43K	495	525	540	610	71	110	10	8	32	8.5	1800V	1800V	2550V
5000W	OR33-43K	600	630	645	710	100	140	10	8	32	8.5	1800V	1800V	2550V

可生产被釉的产品。